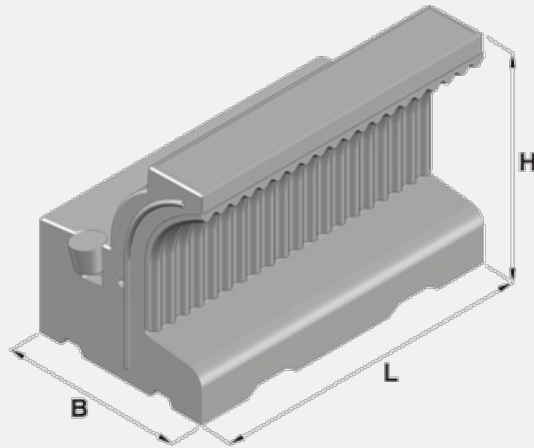


Nízká protihluková clona BR BARRIER

07 Čerčany



Trademark	Dimensions (cm)			Concrete Class	Volume (m3)	Weight (kg)
	L	B	H			
IZX 580/19	199	115	140	C 35/45-XF4	1,5769	2824