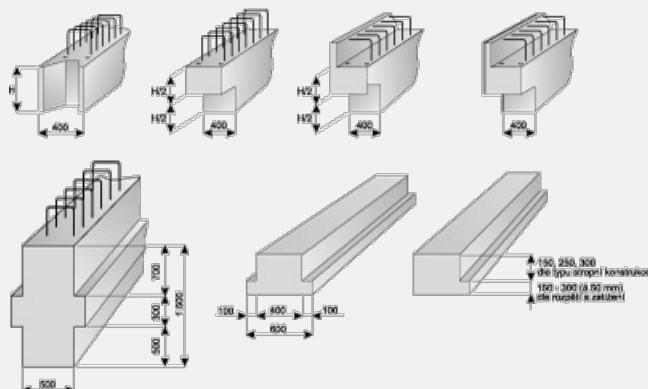


## Custom manufacturing of beams, girders and bracings

07 Čerčany



| Trademark | Dimensions (cm) |               |               | Weight (kg)         |
|-----------|-----------------|---------------|---------------|---------------------|
|           | L               | B             | H             |                     |
| ZV 012    | max 2600 - 3000 | max 100 - 120 | max 120 - 220 | max 32 000 - 70 000 |

### Usage:

Bearing bar components that make, together with vertical elements, a base structure of the skeletal system. Component placing and shape can be freely accommodated to its required functionality. Face areas are made to fulfil demanding requirements for the final surface finish.