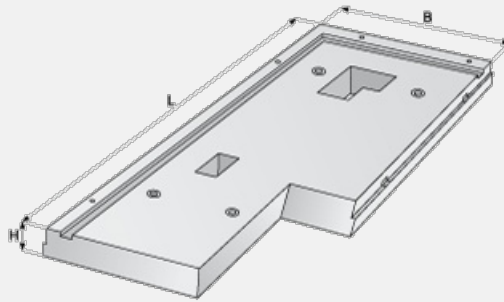


Custom manufacturing of flooring plates and panels

07 Čerčany



Trademark	Dimensions (cm)			Weight (kg)
	L	B	H	
ZV 005	max 700 - 1200	max 350 - 380	*	max 20 000 - 40 000

Usage:

Iron-concrete plate blocks for making flooring structures of apartment and civil constructions. They are made in complex shapes with passages and proposed mainly where no mass made flooring panels can be used. Blocks are equipped with anchor elements for quality interconnection. Conduct for electrical wirings is built in the panels.