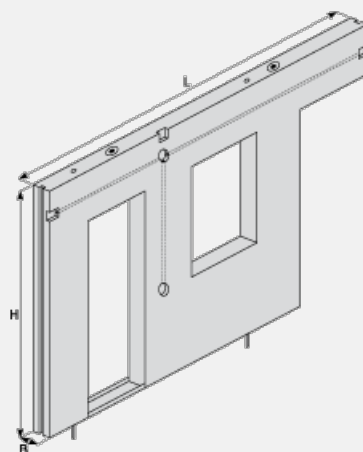
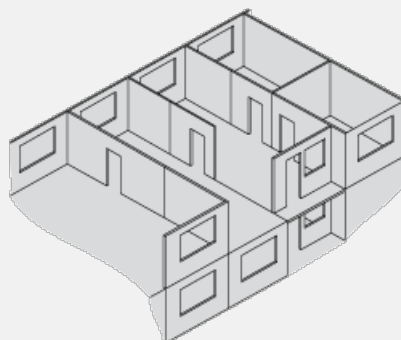


Custom manufacturing of bearing and filler wall panels

07 Čerčany



Trademark	Dimensions (cm)			Weight (kg)
	L	B	H	
ZV 006	max 1200 - 1300	max 300 - 350	*	max 20 000 - 40 000

Usage:

Prefab wall panels for apartment and civic construction. Blocks are equipped with anchor elements for interconnection. Conduct for electrical wirings is built in the panels. The system is suitable for family house construction, however mainly for mass flat construction.