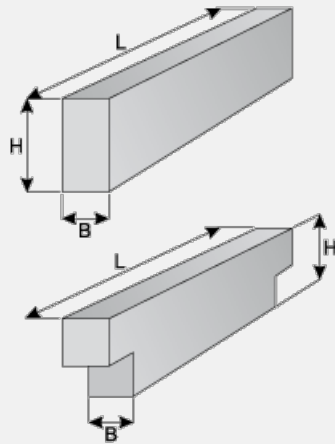


Custom manufacturing of foundation beams

41 Litice



Trademark	Dimensions (cm)		
	L	B	H
ZV 011	*	*	*

Usage:

* - as per the project documentation, without any limitations

Prefab foundation beams are used to speed up the construction process and reduce the construction labour intensity when laying prefab shells. The element dimensions are designed for commonly used pole dimensions and the dimensions of skeleton structures space layout.