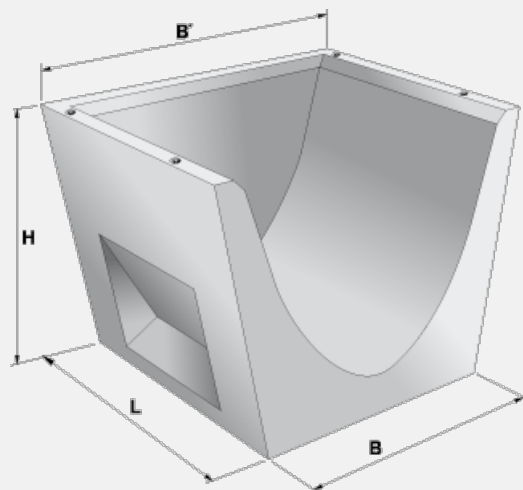


Round timber storage box 2

41 Litice



Trademark	Dimensions (cm)				Concrete Class	Volume (m3)	Weight (kg)
	L	B	H	B_1			
YZP 011-19	170	218	230	304,3	C 35/45 - XF1	4,7000	11750

Usage:

The round timber storage boxes serve for storage and manipulation with wood round timber in woodworking industry.