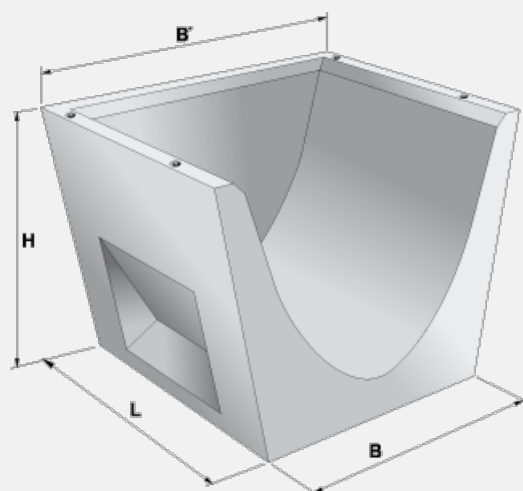


# Round timber storage box 1

41 Litice



Trademark	Dimensions (cm)				Concrete Class	Volume (m3)	Weight (kg)
	L	B	H	B_1			
YZP 010-19	140	218	230	304,3	C 35/45-XF1	3,8400	9600

## Usage:

The round timber storage boxes serve for storage and manipulation with wood round timber in woodworking industry.