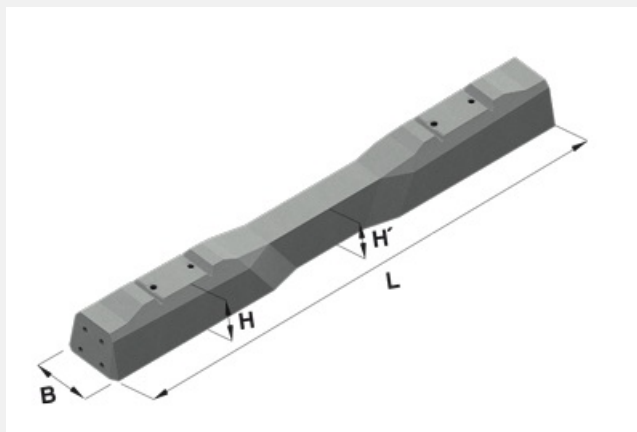


Pražec B91T/2ZK

61 Uherský Ostroh



Trademark	Dimensions (cm)				Concrete Class	Volume (m3)	Weight (kg)
	L	B	H	H_1			
APP 14-19.030	240	30	22	18	C 50/60-XF1	0,115	280