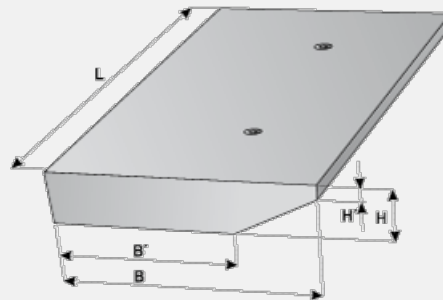


## Smooth cover plate B

31 Doloplazy



Trademark	Dimensions (cm)					Concrete Class	Volume (m <sup>3</sup> )	Weight (kg)
	L	B	H	H <sub>1</sub>	B <sub>1</sub>			
IZX 402/19	177	55	16	6	30	C 35/45-XF4	0,1336	340

### Usage:

It serves for covering of tram roads with gauge of 1,435 mm. The cover plates A, A-Br are intended for laying inside of railroad line, the cover plate B outside of railroad line and the cover plates C, C-Pr between two or more railroad lines. The cover plate C is used for interaxial spacing of railroad lines 3,000 mm and the cover plate C-Pr for 3,100 mm. The cover plates are suitable for all kinds of tram superstructures – combination of various sleepers, rails and fastenings. The cover plates are designed for road load by motor-traffic according to ČSN 736114 and ČSN 730035, i.e. for axle load 110 kN.