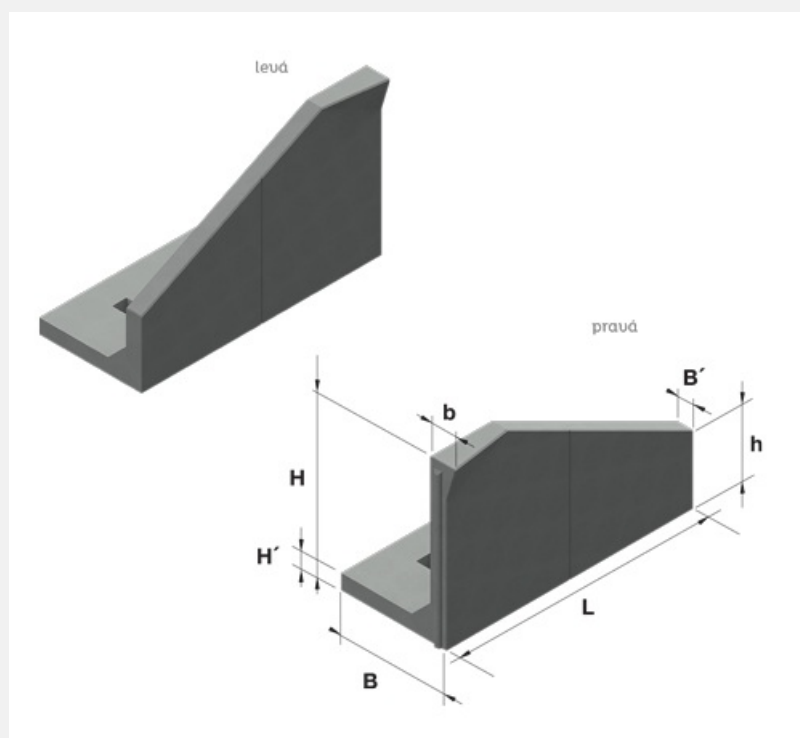


## Svahová hrana SHH 130-20 levá

07 Čerčany



Trademark	Dimensions (cm)							Concrete Class	Volume (m3)	Weight (kg)
	L	B	H	H <sub>1</sub>	H <sub>2</sub>	B <sub>1</sub>	B <sub>2</sub>			
AZZ 146-19.100	199.5	85	130	12	55	13	20	C 30/37-XF4	0,4517	1084