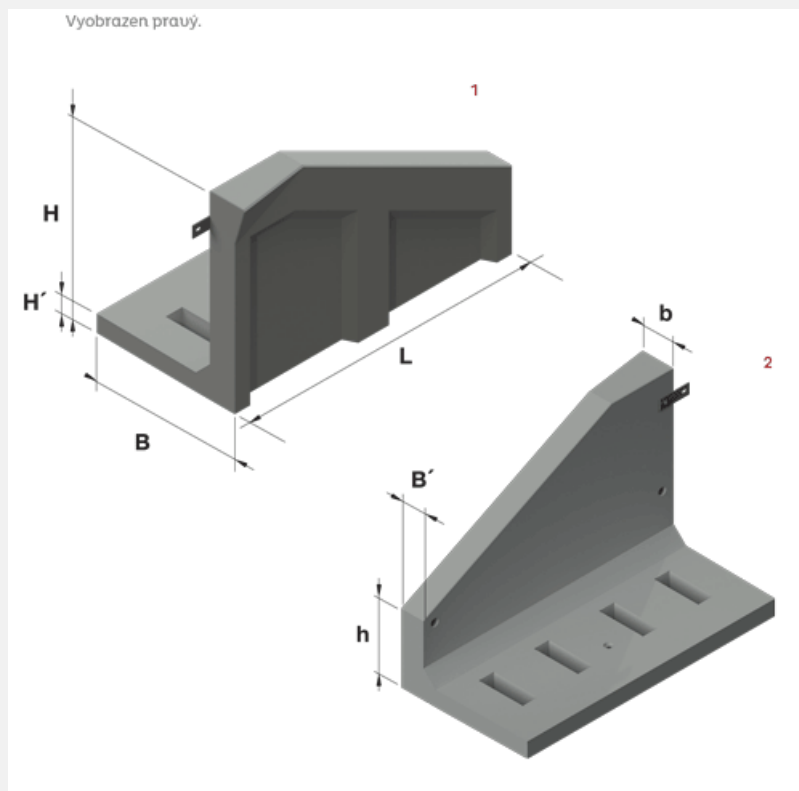


Svahová hrana H 130 pravá

07 Čerčany



Trademark	Dimensions (cm)							Concrete Class	Volume (m3)	Weight (kg)
	L	B	H	H_1	H_2	B_1	B_2			
AZZ 123-19	199,5	100	130	12	55	18	25	C 30/37-XF4	0,4707	1145