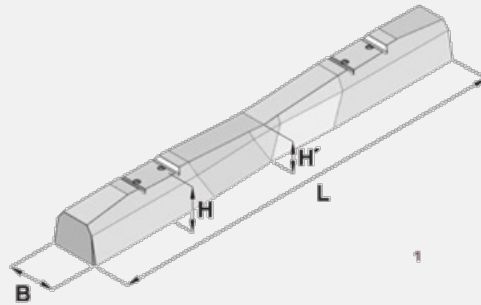


Sleeper BC 12

61 Uherský Ostroh



Trademark	Dimensions (cm)				Concrete Class	Volume (m ³)	Weight (kg)
	L	B	H	H ₁			
APP 116-19	260	30	22,5	20	C 50/60 XF1	0,140	345

Usage:

Production and delivery of concrete prestressed sleepers type BC 12 with flexible baseless fastening of Vossloh rails with a gauge of 1437 mm intended for installation in high-speed railways owned by the Czech Republic, which has the right to manage Správa železnic, statni organizace.

Sleeper BC 12:

Sleeper with fastening W 14, W 14NT, E 14 for rail UIC 60, 60 E1, 60 E2 (R 65) with storage surface inclination 1:40.

Speed 120 km / h – speed range 0-2 – weight per axle 18 t (YES), 22.5 t (YES), 25 t (YES)

Speed 160 km / h – speed range 0-3 – weight per axle 18 t (YES), 22.5 t (YES), 25 t (YES)

Speed 220 km / h – speed range 0-4 – weight per axle 18 t (YES), 22.5 t (YES), 25 t (YES)

Speed 300 (and more) km / h – speed range 0-5 – weight per axle 18 t (YES), 22.5 t (YES), 25 t (YES)