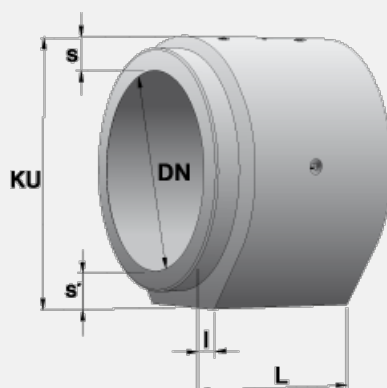


# Železobetonová trouba patková DN 800 S

07 Čerčany



Trademark	Dimensions (cm)						Concrete Class	Volume (m3)	Weight (kg)
	L	D	L <sub>2</sub>	D <sub>1</sub>	T <sub>1</sub>	T <sub>2</sub>			
TZP 041-19	110	80	10	116	19	17	C 50/60-XF4	0,5480	1320