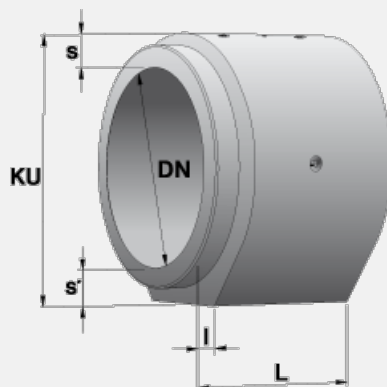


# Železobetonová trouba patková DN 1200 S

07 Čerčany



Trademark	Dimensions (cm)						Concrete Class	Volume (m3)	Weight (kg)
	L	D	L_2	D_1	T_1	T_2			
TZP 043-19	110	120	10	162	21	21	C 50/60-XF4	0,9700	2330