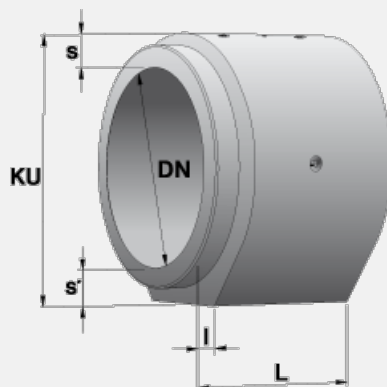


Železobetonová trouba patková DN 1000 S

07 Čerčany



Trademark	Dimensions (cm)						Concrete Class	Volume (m3)	Weight (kg)
	L	D	L_2	D_1	T_1	T_2			
TZP 042-19	110	100	10	138	19	19	C 50/60-XF4	0,7390	1775