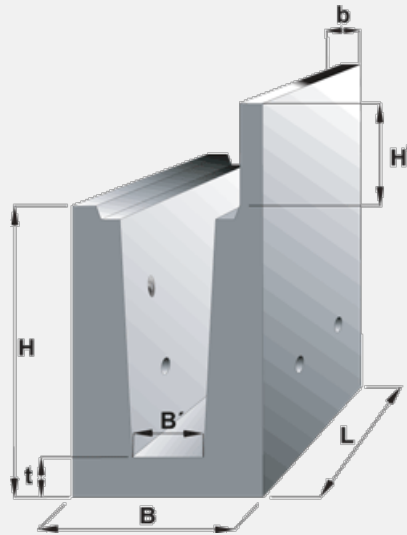


Trench drain UCH 0

61 Uherský Ostroh



Trademark	Dimensions (cm)							Concrete Class	Volume (m3)	Weight (kg)
	L	B	H	H ₁	B ₁	B ₂	T ₂			
TZM 232-19	249	87	125	50	40	20	20	C 30/37-XF3	1,7379	4290

Usage:

For building cunette channels at railway tracks or other roads. The trench drains UCB are in form of letter U and the trench drains UCH are in form angular of letter J. The drains have 4 draining holes with nominal inside diameter 100 mm and gradient 5% inwards in lower part. For covering of drains there are intended the covers UC, whereas three covers or the covers UC-a are needed for one drain, whereas for one drain five covers are needed. The drains are made either with manipulation hooks or with clips DEHA.