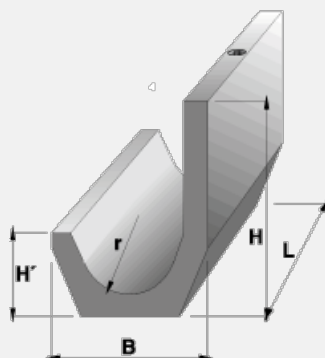


## Trench drain J

07 Čerčany



Trademark	Dimensions (cm)					Concrete Class	Volume (m3)	Weight (kg)
	L	B	H	H_1	R_2			
TZM 201-19	100	65	90	35	20	C 30/37-XF3	0,1590	390

### Usage:

For forming cunette channels at bodies of tracks of CR or other roads. For covering three cover for one drain are needed (to the drain J one continuous cover can be delivered, too).  
The drains are made with manipulation hooks or with clips DEHA.