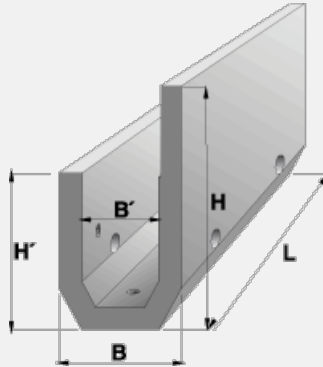


Trench drain J-great

61 Uherský Ostroh



Trademark	Dimensions (cm)					Concrete Class	Volume (m3)	Weight (kg)
	L	B	H	H_1	B_1			
TZM 203-19	249	70	140	90	44	C 30/37-XF3	0,7312	1790

Usage:

For forming cunette channels at bodies of tracks of CR or other roads. For covering three covers for one drain are needed (to the drain J one continuous cover can be delivered, too). The trench drain J - large has four holes of nominal inside diameter 100 mm with gradient 5% inwards.

The drains are made either with manipulation hooks or with clips DEHA.