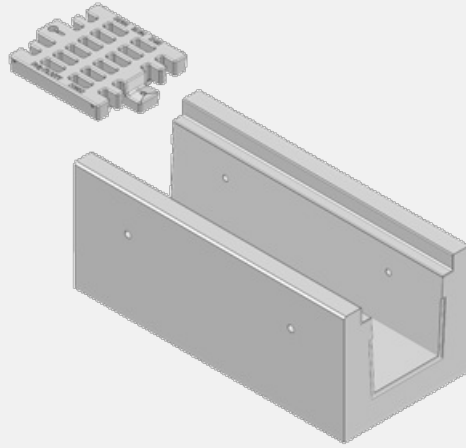


Drainage trough with grating

61 Uherský Ostroh



Trademark	Dimensions (cm)				Concrete Class	Volume (m3)	Weight (kg)
	L	B	H	H_1			
TZM 300-19	150,8	70	60	50,5	C 35/45-XF4	0,3590	880

Usage:

Drainage gutters with grating are reinforced concrete prefabs in the shape of the letter U covered by 3 pieces of plastic or cast-iron gratings with load capacity D400 according to ČSN EN 124. The contact surfaces of the gratings are reinforced with rolled steel L-shaped profiles. The prefabs are intended for creating drainage gutters for roadways, especially in front railway crossings, for parking and warehouse areas, transshipment points and ports. The parts are dimensioned for group 4 (class D400) according to ČSN EN 1433. At railway crossings, it is recommended to install drainage channels in order to ensure the stability of the subsoil at a distance of min. 2.5 m from the track axis. The drainage channel with a grid fully replaces the threshold outlet. No. 593 831 010 217.