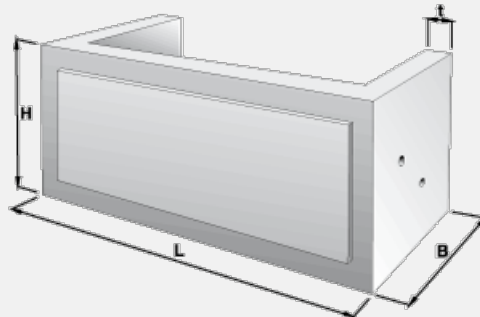


Element of wall frames PU 1

07 Čerčany



Trademark	Dimensions (cm)				Concrete Class	Volume (m3)	Weight (kg)
	L	B	H	T_2			
IZT 70/19	296	151	121	18	C 30/37-XF4	1,9500	4880

Usage:

For construction of mounted low and medium high wall frames of inclinations 5 : 1, 10 : 1, 20 : 1. They are designed for dead load of elements, filling earth and slope. The face is aesthetically finished. The element PU3 is the last element of the support wall under a monolithic concrete moulding. The element PU4 is laid on the foundation base as first. Construction of constituent elements of wall frames is identical as for elements of the support walls U1 up to U4 performed in accordance with the type document approved by FMD Dept. 6. with ref. No. 16364/1984-06 on September 10th, 1984 issued by the company SUDOP Prague Inc.