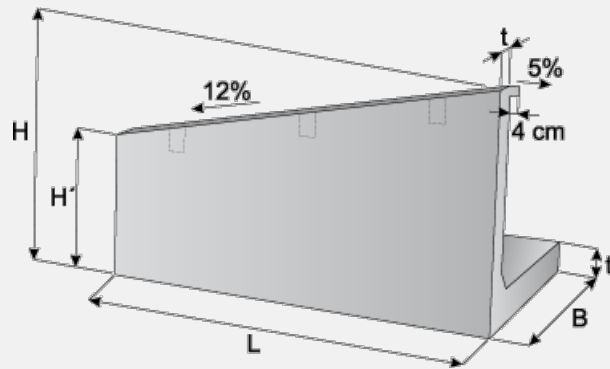


Element of moulding wall 2 - right, left

07 Čerčany



Trademark	Dimensions (cm)					Concrete Class	Volume (m3)	Weight (kg)
	L	B	H	H_1	T_2			
IZT 63/19	226	149	119	92	18	C 30/37-XF4	0,9820	2460

Usage:

The products are intended for forming of a precast concrete moulding wall in front of and behind the bridge both in curve and in straight line. They are made in a left and right version. The elements of the moulding wall 1, 2 are equipped with a splayed coping with holes for railing. The products are designed for dead load of elements, filling earth and for load by the load train ČSD T, the standard load of which is given by a set of axle forces 4 x 312.5 kN and by the uniform load 100 kNm-1.