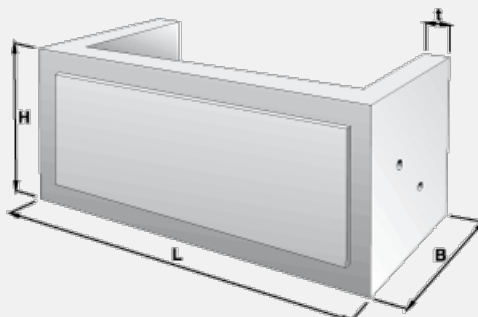


## Box part of support walls U2

61 Uherský Ostroh



Trademark	Dimensions (cm)				Concrete Class	Volume (m3)	Weight (kg)
	L	B	H	T_2			
IZT 56/10	296	181	91	18	C 30/37-XF4	1,8800	4700

### Usage:

For construction of mounted low and medium high support walls of inclinations 5 : 1,10 : 1, 20 : 1. They are designed for dead load of elements and filling earth, for load by the basic load train ČSD T, the standard load of which is given by a set of axle forces 4 x 312.5 kN and by the uniform load 100 kNm-1. The face is aesthetically finished. The element U3 is the last element of the support wall under a monolithic concrete moulding. The element U4 is laid on the foundation base as first. Construction of constituent box parts is performed in accordance with the type document approved by FMD Dept. 6, ref. No. 16364/1984-06 on September 10th, 1984 issued by the company SUDOP Prague Inc.